

806-A01-050

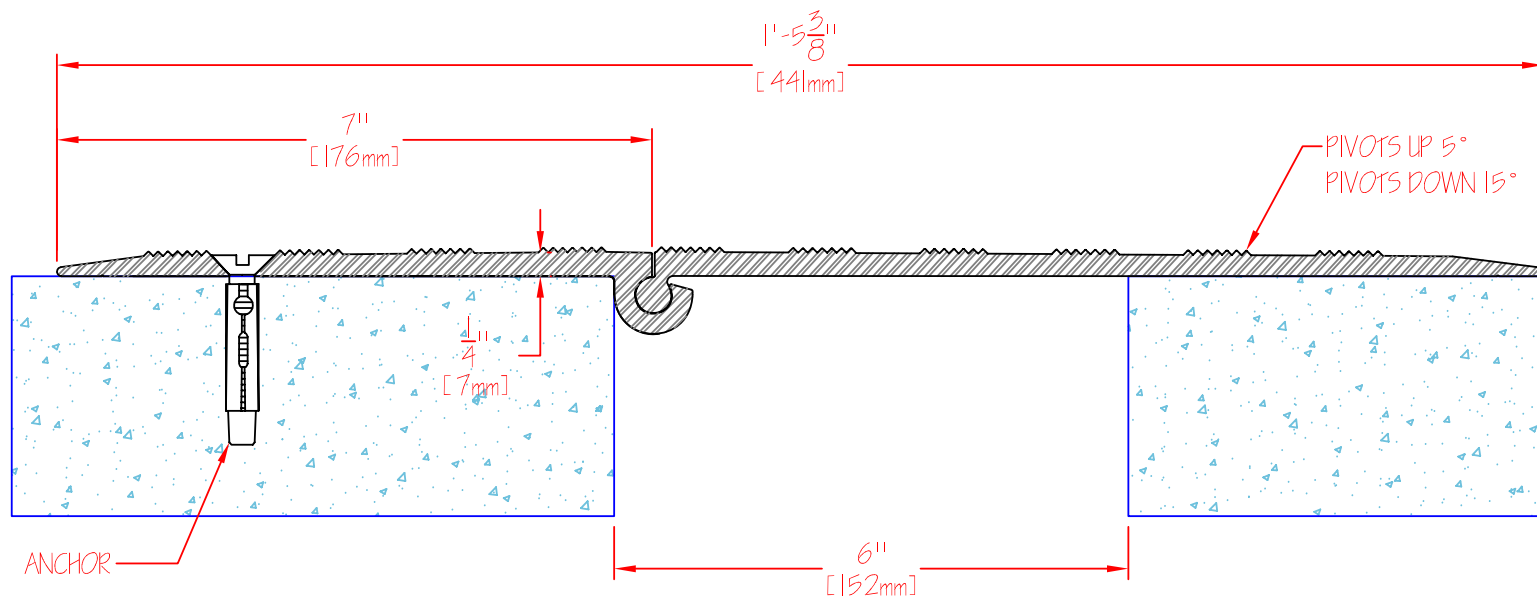
Joint Width		Load	
US	mm	US Ton	kN
2"	51	HP	HP

INPRO
JOINTMASTER
 ARCHITECTURAL JOINT SYSTEMS

DATE: Sept., 2006
 SCALE: 1/4" = 1'-0"
 REV:

APPLICATION-
 FLOOR/ FLOOR COVER PLATE

INPRO CORPORATION
 Interior and Exterior Architectural Products
 S80 W18766 Apollo Drive
 Muskego, WI 53150 USA



806-A01-150

Joint Width		Load	
US	mm	US Ton	kN
2"	51	HP	HP

InPro
JOINTMASTER
 ARCHITECTURAL JOINT SYSTEMS

DATE: Sept., 2006

SCALE: 1/2"

REV:

APPLICATION-
 FLOOR/ FLOOR COVER PLATE

InPro CORPORATION
 Interior and Exterior Architectural Products
 S80 W18766 Apollo Drive
 Muskego, WI 53150 USA